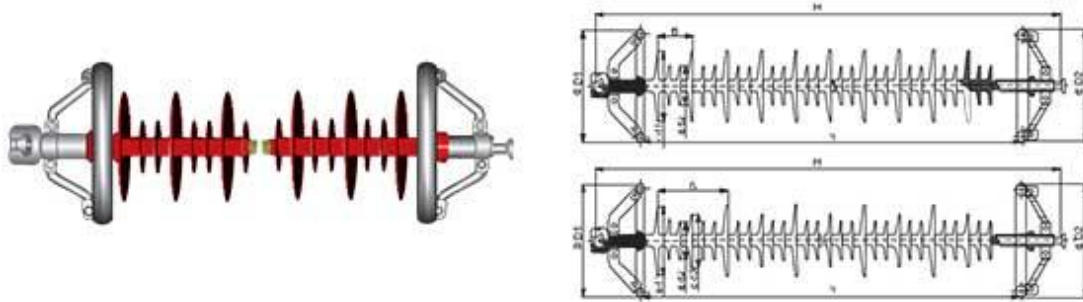


500kV 棒形悬式复合绝缘子 500kV Composite Long Rod Suspension Type Insulator



500kV 棒形悬式复合绝缘子示意图  
500kV Composite Long Rod Suspension Type Insulator Schematic Diagram

500kV 棒形悬式复合绝缘子主要尺寸与特性

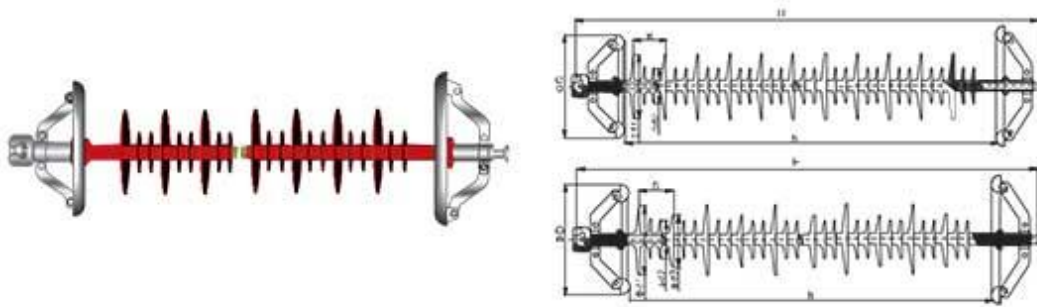
Main Dimensions and Characteristics of 500kV Composite Long Rod Suspension Type Insulator

Serial Number 序号	Type of Insulator 绝缘子型号	Specified Voltage 额定电压	Specified Mechanical Tensile Load 额定机械负荷	Connection Structure Mark 机械连接标记	Section Length 杆身长度	Max. Arcing Distance 最大电弧距离	Big shed Diameter 大伞直径	Diameter of Grading Ring 杆身环直径	Diameter of Grading Ring 杆身环直径	Min nominal Creepage distance 最小公称爬电距离	Lightning impulse Withstand Voltage (Peak value) 雷电冲击耐受电压 (峰值)	Operating impulse Withstand Voltage (Peak) 运行冲击耐受电压 (峰值)	Power Frequency Withstand Voltage Min. Vol(RMS) 工频 (不含避雷器附件) 有效值耐受电压 (有效值)	Reference Weight 参考重量
		kV	kN		H mm	h mm	d1 mm	D1 mm	D2 mm	L mm	≥ kV	≥ kV	≥ kV	kg
1	FXBW-500/(120/100)	500	120/100	16	4450±50	4000	171	350/370/400	370/400	14400	2250	1240	740	30
2	FXBW-500/(240/210/180/160)	500	240/210/180/160	20	4450±50	4000	174	350/370/400	370/400	14300	2250	1240	740	31
3	FXBW-500/300	500	300	24	4450±50	4000	174	350/370/400	370/400	14000	2250	1240	740	32
4	FXBW-500/(420/400)	500	420/400	28	4450±50	4000	180	350/370/400	370/400	14000	2250	1240	740	33
5	FXBW-500/(550/530)	500	550/530	32	4450±50	4000	218	350/370/400	370/400	14000	2250	1240	740	34

说明：产品的尺寸、特性、连接方式和伞裙颜色等可按照客户具体要求设计、生产

Note: Product's dimension, characteristics, connecting type, shed color, etc can be designed and manufactured in accordance with customer's requirements.

330kV 棒形悬式复合绝缘子 330kV Composite Long Rod Suspension Type Insulator



330kV 棒形复合绝缘子示意图  
330kV Composite Long Rod Suspension Type Insulator Schematic Diagram

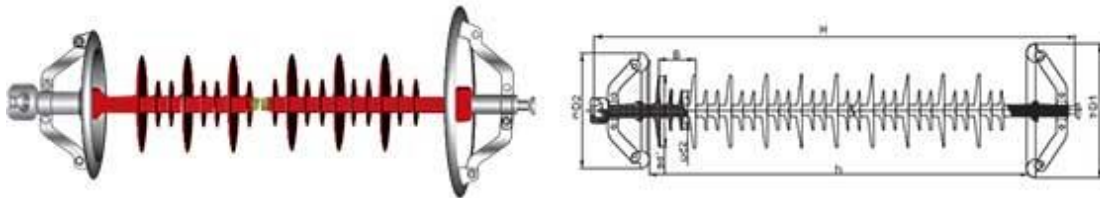
330kV 棒形复合绝缘子主要尺寸与特性

Main Dimensions and Characteristics of 330kV Composite Long Rod Suspension Type Insulator

序号 Serial Number	绝缘子型号 Type of Insulator	额定电压 Specified Voltage	额定机械负荷 Specified Mechanical Tensile Load	连接结构代号 Connection Structure Mark	结构高度 Section Length	最小电弧距离 M.C. Arcing Distance	伞裙直径 Big Shed Diameter	均压环直径 Diameter of Grading Ring	最小公称爬电距离 Min Nominal Creepage Distance	雷电冲击耐受电压 Lightning Impulse Withstand Voltage(Peak Value)	操作冲击耐受电压 Operating Impulse Withstand Voltage(Peak Value)	工频耐受电压 Power Frequency Withstand Voltage(1min, Wet(RMS))	参考重量 Reference Weight
		kV	kN		H mm	h mm	d1 mm	D mm	L mm	≥ kV	≥ kV	≥ kV	kg
1	FXBW-330(120/100/70)	330	120/100/70	16	2990±40	2600	162	305/350	9400	1425	950	570	19
2	FXBW-330(240/210/180/160)	330	240/210/180/160	20	2990±40	2600	171	305/350	9200	1425	950	570	20
3	FXBW-330/300	330	300	24	2990±40	2600	174	305/350	9075	1425	950	570	21
4	FXBW-330(420/400)	330	420/400	28	3145±40	2600	180	305/350	9075	1425	950	570	24
5	FXBW-330(550/530)	330	550/530	32	3145±40	2600	216	305/350	9075	1425	950	570	25

说明：产品的尺寸、特性、连接方式和伞裙颜色等可按照客户具体要求设计、生产  
Note: Product's dimension, characteristics, connecting type, shed color, etc can be designed and manufactured in accordance with customer's requirements.

220kV 棒形悬式复合绝缘子 220kV Composite Long Rod Suspension Type Insulator



220kV 棒形悬式复合绝缘子示意图  
220kV Composite Long Rod Suspension Type Insulator Schematic Diagram

220kV 棒形悬式复合绝缘子主要尺寸与特性

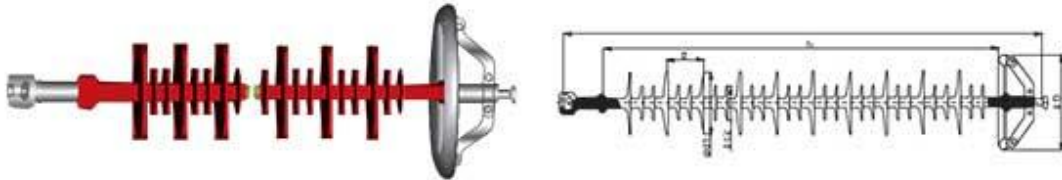
Main Dimensions and Characteristics of 220kV Composite Long Rod Suspension Type Insulator

序号 Serial Number	绝缘子型号 Type of Insulator	额定电压 Specified Voltage	额定机械负荷 Specified Mechanical Tensile Load	连接结构型式 Connection Structure Mark	绝缘长度 Section Length	最小爬电距离 Min. Arcing Distance	棒形直径 Rod Diameter	均压环直径 Diameter of Grading Ring	绝缘子长度 Min. Nominal Creepage Distance	雷电冲击耐受电压 Lightning Impulse Withstand Voltage (Peak Value)	工频耐受电压 Power Frequency Withstand Voltage (Min. Wet (MMS))	参考重量 Reference Weight
		kV	kN		H mm	h mm	d1 mm	D1/D2 mm	L mm	≥ kV	≥ kV	kg
1	FXBW-220(230)/(120/100/70)	220/230	120/100/70	16	2240 ± 30	1900	162/122	305/250	6800	1000	395	12
2	FXBW-220(230) <sup>1</sup> (240/210 <sup>1</sup> /160/160)	220/230	240/210 <sup>1</sup> /160 <sup>1</sup> 160	20	2350 ± 30	1900	171	305/250	6800	1000	395	13
3	FXBW-220(230)/300	220/230	300	24	2240 ± 30	1900	171	305/250	6800	1000	395	14

说明：产品的尺寸、特性、连接方式和伞裙颜色等可按客户具体要求设计、生产

Note: Product's dimension, characteristics, connecting type, shed color, etc can be designed and manufactured in accordance with customer's requirements.

110kV(132kV) 棒形悬式复合绝缘子 110kV (132kV) Composite Long Rod Suspension Type Insulator



110kV(132kV) 棒形复合绝缘子示意图  
110kV(132kV) Composite Long Rod Suspension Type Insulator Schematic Diagram

110kV(132kV) 棒形复合绝缘子主要尺寸与特性

Main Dimensions and Characteristics of 110kV(132kV) Composite Long Rod Suspension Type Insulator

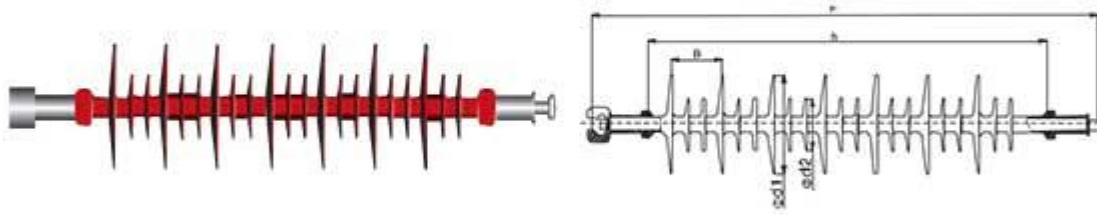
序号 Serial Number	绝缘子型号 Type of Insulator	额定电压 Specified Voltage	额定机械负荷 Specified Mechanical Tensile Load	连接结构代号 Connection Structure Mark	绝缘长度 Section Length	最小爬电距离 Min. Arcing Distance	大伞直径 Big shed Diameter	直径环间距 Diameter of Grading Ring	最小公称爬电距离 Min. Nominal Creepage Distance	雷电冲击耐受电压(峰值) 雷电全波冲击耐受电压(峰值)	工频1分钟耐受电压(有效值)	参考重量 Reference Weight
		kV	kN		H mm	h mm	d1 mm	D mm	L mm	z kV	z kV	kg
1	FXBW-110(120/100.70)	110	120/100/70	16	1240±15	1000	148	250	3150	550	230	4.6
2	FXBW-110(120/100.70)	110	120/100/70	16	1400±15	1165	148	250	3650	550	230	7
3	FXBW-132(120/100.80)	132	120/80	16	1650±20	1420	134	250	5800	650	340	7.2
4	FXBW-132/160	132	160	20	1710±20	1420	134	250	5800	650	340	8.4

说明: 产品的尺寸、特性、连接方式和伞裙颜色等可按照客户具体要求设计、生产

Note: Product's dimension, characteristics, connecting type, shed color, etc can be designed and manufactured in accordance with customer's requirements.



69kV(66kV、63kV) 棒形悬式复合绝缘子 69kV(66kV、63kV) Composite Long Rod Suspension Type Insulator



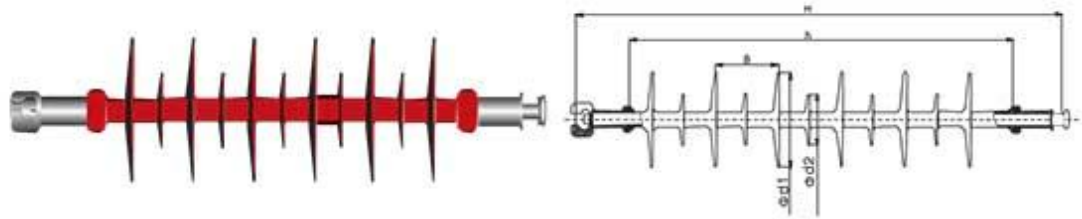
69kV(66kV、63kV) 棒形悬式复合绝缘子示意图  
69kV(66kV、63kV) Composite Long Rod Suspension Type Insulator Schematic Diagram

69kV(66kV、63kV) 棒形悬式复合绝缘子主要尺寸与特性  
Main Dimensions and Characteristics of 69kV(66kV、63kV) Composite Long Rod Suspension Type Insulator

Serial Number 序号	Type of Insulator 绝缘子型号	Specified Voltage 额定电压	Specified Mechanical Tensile load 额定机械负荷	Connection Structure Mark 绝缘子结构型式	Section Length 绝缘子长度	Min. Arcing Distance 最小爬电距离	Big shed Diameter 伞裙直径	Min Nominal Creepage Distance 最小公称爬电距离	Lighting Impulse Withstand Voltage(peak Value) 雷电冲击耐受电压(峰值)	Power Frequency Withstand Voltage Min./Vol(FMS) 工频(交流)耐受电压(有效值)	Preference Weight 参考重量
		kV	kN		H mm	h mm	d1 mm	L mm	≧ kV	≧ kV	kg
1	FXBW-63/ (120/100/70)	63	120/100/70	16	840±20	643	177	1900	350	140	3.8
2	FXBW-69(66)/ (120/100/70)	66/69	120/100/70	16	940±15	700	177	2800	410	180	4.0

说明：产品的尺寸、特性、连接方式和伞裙颜色等可按客户具体要求设计、生产  
Note: Product's dimension, characteristics, connecting type, shed color, etc can be designed and manufactured in accordance with customer's requirements.

36kV(35kV、33kV) 棒形悬式复合绝缘子 36kV(35kV、33kV) Composite Long Rod Suspension Type Insulator



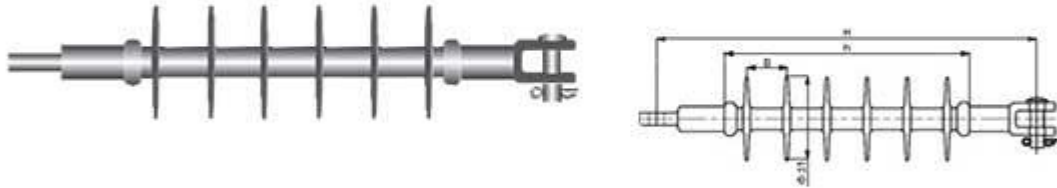
36kV(35kV、33kV) 棒形悬式复合绝缘子示意图  
36kV(35kV、33kV) Composite Long Rod Suspension Type Insulator Schematic Diagram

36kV(35kV、33kV) 棒形悬式复合绝缘子主要尺寸与特性  
Main Dimensions and Characteristics of 36kV(35kV、33kV) Composite Long Rod Suspension Type Insulator

Serial Number 序号	Type of Insulator 绝缘子型号	Specified Voltage 额定电压	Specified Mechanical Tensile load 额定机械负荷	Connection Structure Mark 连接结构代号	Section Length 绝缘子长度	Min. Arcing Distance 最小弧长	Big shed Diameter 大伞直径	Min nominal Creepage Distance 最小公称爬电距离	Lightning Impulse Withstand Voltage(Peak Value) 雷电冲击耐受电压(峰值)	Power Frequency Withstand Voltage Min. Wet(RMS) 工频耐受电压(湿态)	Preference Weight 参考重量
		kV	kN		H mm	h mm	d1 mm	L mm	≥ kV	≥ kV	kg
1	FXBW-33(35)/ (120/100/80/70)	33/35	120/100/80/70	10	610 ± 15	450	144	810	230	95	26
2	FXBW-36/ (120/100/80/70)	36	120/100/80/70	15	690 ± 15	498	144	1440	230	95	28

说明：产品的尺寸、特性、连接方式和伞裙颜色等可按照客户具体要求设计、生产  
Note: Product's dimension, characteristics, connecting type, shed color, etc can be designed and manufactured in accordance with customer's requirements.

25kV(24kV、20kV) 棒形悬式复合绝缘子 25kV(24kV、20kV) Composite Long Rod Suspension Type Insulator



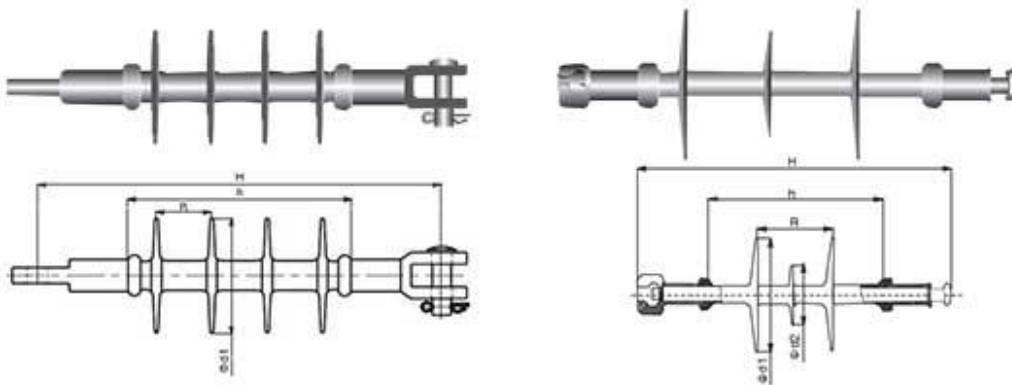
25kV(24kV、20kV) 棒形悬式复合绝缘子示意图  
25kV(24kV、20kV) Composite Long Rod Suspension Type Insulator Schematic Diagram

25kV(24kV、20kV) 棒形悬式复合绝缘子主要尺寸与特性  
Main Dimensions and Characteristics of 25kV(24kV、20kV) Composite Long Rod Suspension Type Insulator

Serial Number 序号	Type of Insulator 绝缘子型号	Specified Voltage 额定电压	Specified Mechanical Tensile Load 额定机械拉伸负荷	Section Length 绝缘子长度	Min. Arcing Distance 最小电弧距离	Big Shed Diameter 大伞直径	Min. Nominal Creepage Distance 最小公称爬电距离	Lightning Impulse Withstand Voltage(Peak Value) 雷电冲击全波耐受电压(峰值)	Power Frequency Withstand Voltage Min. Wet(PMS) 工频(全波)耐受电压(湿态)	Preference Weight 参考重量
		kV	kN	H mm	h mm	d1 mm	L mm	≧ kV	≧ kV	kg
1	FXBW-25(24/20) (120/100/80/70)	25/24/20	120/100 /80/70	504 ± 15	300	121	900	150	90	2.0

说明：产品的尺寸、特性、连接方式和伞裙颜色等可按照客户具体要求设计、生产  
Note: Product's dimension, characteristics, connecting type, shed color, etc can be designed and manufactured in accordance with customer's requirements.

10kV 棒形悬式复合绝缘子 10kV Composite Long Rod Suspension Type Insulator



10kV 棒形悬式复合绝缘子示意图  
10kV Composite Long Rod Suspension Type Insulator Schematic Diagram

10kV 棒形悬式复合绝缘子主要尺寸与特性  
Main Dimensions and Characteristics of 10kV Composite Long Rod Suspension type Insulator

序号 Serial Number	绝缘子型号 Type of Insulator	额定电压 Specified Voltage	额定机械负荷 Specified Mechanical Tensile load	绝缘长度 Section Length	最小爬电距离 Min. Arding Distance	大伞直径 Big shed Diameter	最小公称爬电距离 Min. Nominal Creepage Distance	雷电冲击耐受电压(峰值) Lightning Impulse Withstand Voltage(Peak Value)	工频耐受电压(有效值) Power Frequency Withstand Voltage Min. Value(RMS)	参考重量 Reference Weight
		kV	kN	H mm	h mm	d1 mm	L mm	≥ kV	≥ kV	kg
1	FX8W-10/70	10	70	345 ± 15	170	97	435	110	50	1.2
2	FX8W-10/70	10	70	365 ± 15	180	144	500	110	60	1.6

说明：产品的尺寸、特性、连接方式和伞裙颜色等可按客户具体要求设计、生产  
Note: Product's dimension, characteristics, connecting type, shed color, etc can be designed and manufactured in accordance with customer's requirements.